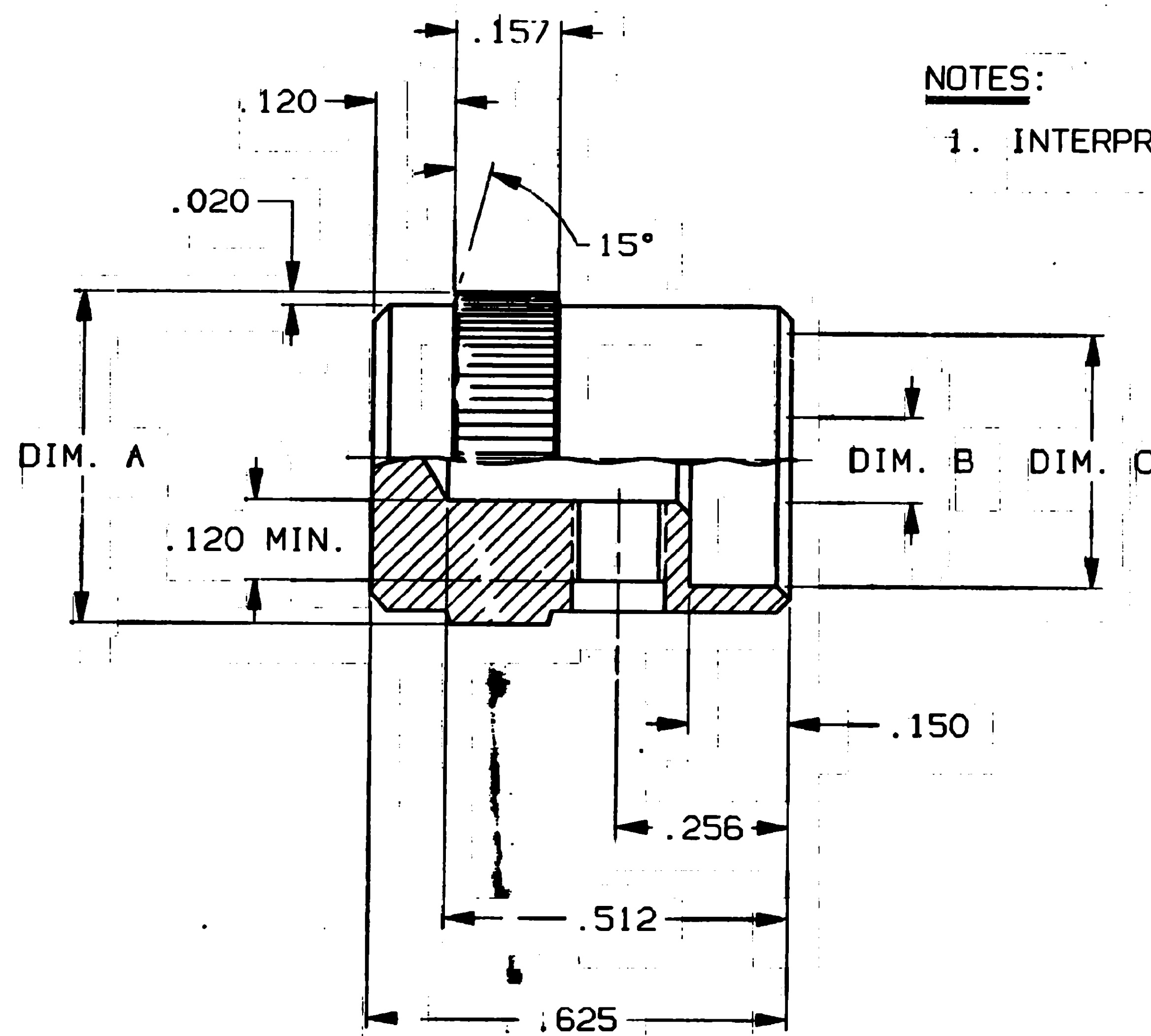
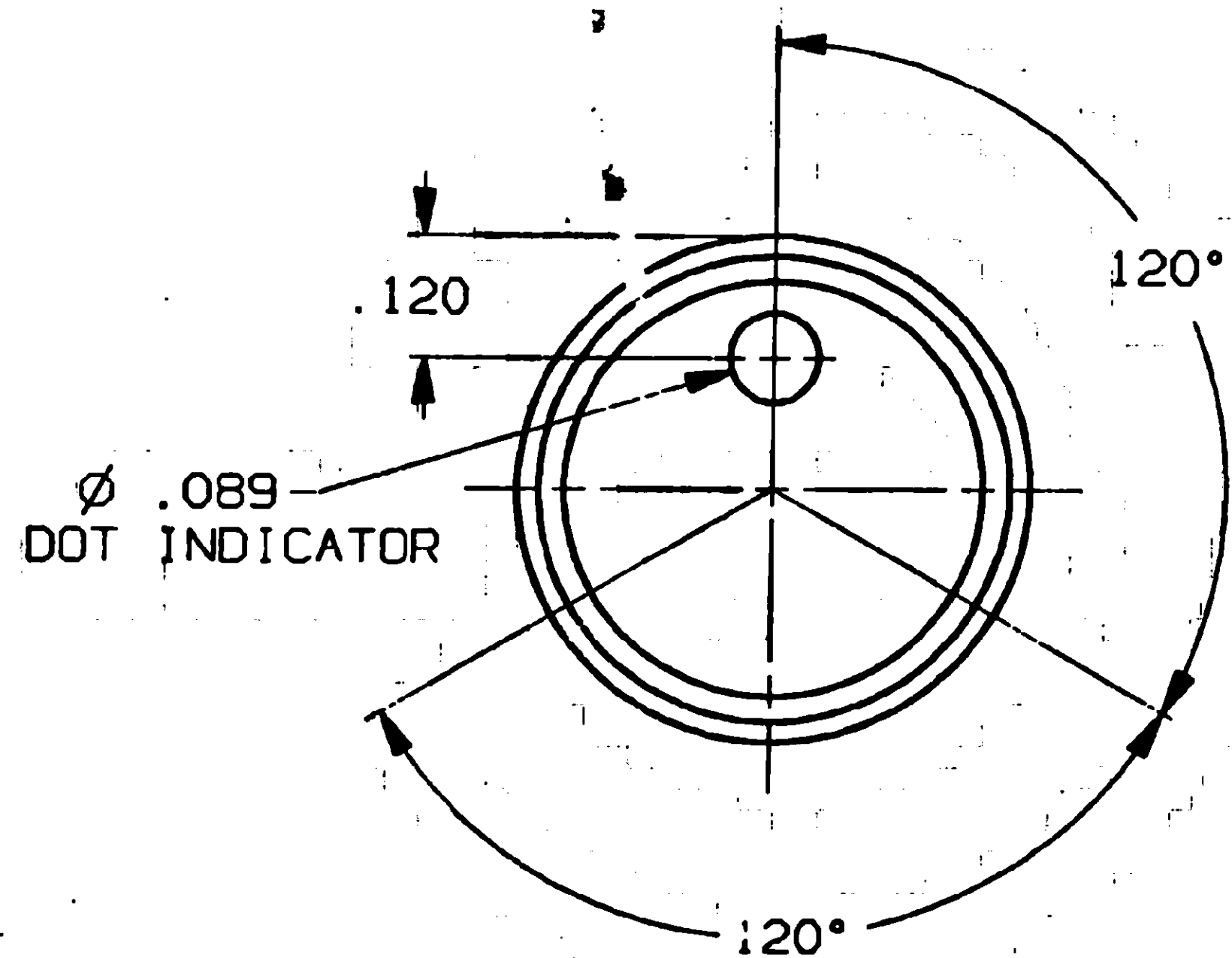


CONVERSION CHART

INCH	MM
.012	0.30
.020	0.51
.025	0.64
.089	2.26
.120	3.05
.126	3.21
.129	3.27
.150	3.81
.157	3.99
.251	6.38
.254	6.45
.256	6.50
.382	9.70
.500	12.70
.512	13.00
.625	15.88
.630	16.00
.740	18.80
.787	19.99
.937	23.80
1.062	26.97
1.250	31.75



SPECIFICATIONS:

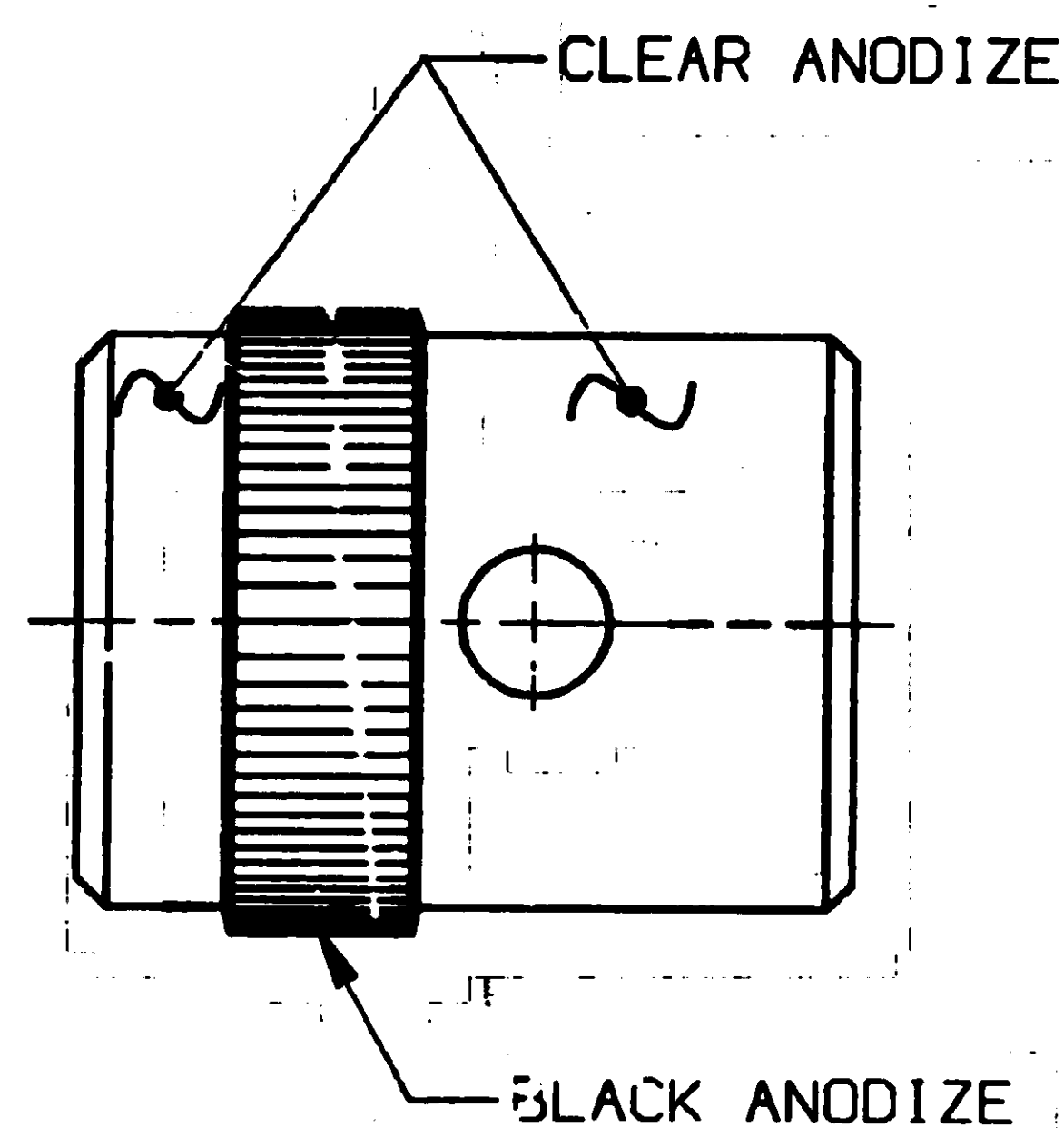
MATERIALS: ALUMINUM  
 FINISH: ANODIZED  
 SET SCREW: #6-32 UNC-2A  
 STAINLESS STEEL

NOTES:

1. INTERPRET DRAWING PER ASME Y14.5M 1994.

MODEL NO.	A DIA.	B DIA.	C DIA.
KE-500AB-1/8	.500	.126/.129	.382
KE-500AB-1/4	.500	.251/.254	.382
KE-700AB-1/4	.740	.251/.254	.630
KE-900AB-1/4	.937	.251/.254	.787
KE-1250AB-1/4	1.250	.251/.254	1.062

KE-500AB-1/8 AS SHOWN



OUTLINE DRAWING  
 SPECIFICATIONS ARE SUBJECT TO CHANGES WITHOUT NOTICE

THIS IS A C.A.D. GENERATED DRAWING.  
 DO NOT MAKE MANUAL REVISIONS TO MASTER.

REV	0
REVISIONS	
INITIAL RELEASE	
ESR#A6989	
SEP 10-13-95	
APP'D: J. Z...	

TOLERANCES (EXCEPT AS NOTED)  
 ANGULAR = ±.03 (NON-CUMULATIVE)  
 DECIMAL .XX  
 DECIMAL .XXX  
 DECIMAL .XXXX

UNLESS OTHERWISE SPECIFIED  
 DIMENSIONS ARE IN INCHES  
 DO NOT SCALE PRINT

FILE NAME: BASSOUT  
 DIRECTORY: KNOBS

MATERIAL: SEE SPECIFICATIONS

FINISH: SEE SPECIFICATIONS

APPROVED: [Signature]  
 DATE: 10-30-95

CODE IDENT. NO.: 91506  
 ENG. SIZE: C

NEXT ASSY:

ORIGINAL DATE OF DRAWING: 10-13-95

DRAWN: S. KIRCORIAN  
 DATE: 10-13-95

CHECKED: [Signature]  
 DATE:

APPROVED: [Signature]  
 DATE: 10-30-95

CODE IDENT. NO.: 91506  
 ENG. SIZE: C

NEXT ASSY:

**AUGAT**  
 JOHN DIETSCH BLVD.  
 ATLEBORO FALLS, MASS. 02763

TITLE: **OUTLINE DRAWING**  
 ALUMINUM KNOB  
 DUAL ANODIZED

QWC NO.: 80053

PRODUCT CODE: M11

SCALE: SHEET 1 OF 1